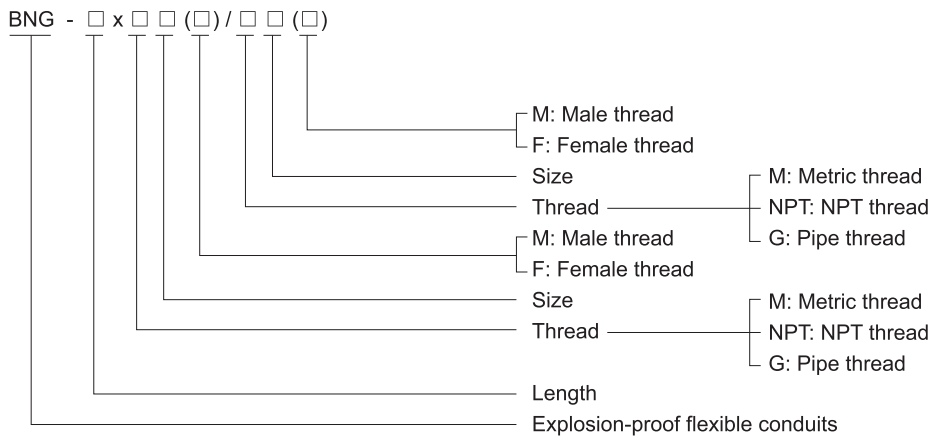


## Flexible Conduits BNG Series Stainless Steel Explosion-proof Flexible Conduits



- ◆ Explosion protection to
  - CENELEC
  - IEC
  - NEC
- ◆ Can be used in
  - Zone 1 and Zone 2
  - Zone 21 and Zone 22
  - Class I, Zone 1 and Zone 2
  - Class I, Division 1, Groups A, B, C, D
- ◆ Ex d structure; stainless steel body; connectors at both ends in stainless steel.
- ◆ Application:
  - Widely used for flexible connection between explosion-proof boxes or explosion-proof light fittings and pipes
  - Protect cable from any damage
  - Highly corrosion-proof

### ■ Catalogue number logic






Technical data	
<b>Stainless steel explosion-proof flexible conduits BNG-□x□□(□)/□□(□)</b>	
<b>Explosion protection</b>	Gas explosion protection $\text{Ex II 2 G Ex d IIC Gb}$ Dust explosion protection $\text{Ex II 2 D Ex tD A21 IP66}$
<b>Certificates</b>	DNV 10 ATEX 87636U; IECEx CQM 11.0014U; RU C-CN.ГБ05.B.00345(CU-TR) KZ.7500525.22.01.00372 (CU-TR)
<b>Conformity to standards</b>	EN 60079-0, EN 60079-1, EN 61241-0, EN 61241-1 IEC 60079-0, IEC 60079-1, IEC 61241-0, IEC 61241-1
<b>Material</b>	Stainless steel body; connectors at both ends in stainless steel
<b>Degree of protection</b>	IP66
<b>Ambient temperature</b>	-60°C~+55°C
<b>Connection thread Type</b>	Metric thread is standard type; G thread or NPT thread is optional F/F, M/F or M/M
<b>Note:</b> 1. M75, M90, M115 equivalent G thread and NPT thread can be customized, other length can be customized. 2. Metric threads are 1.5mm pitch as standard, others thread pitch can be customized, please specify when ordering.	

## Zones 1&2; 21&22

## Flexible Conduits

### BNG Series Stainless Steel Explosion-proof Flexible Conduits

Selection table

Version	Internal nominal diameter (mm)	Pipe connector thread "H"			Length L (mm)	Minimum bending radius (mm)	Ordering code	Weight (kg)
		Metric	NPT	G				
 BNG-□x□□(M)/□□(F)	15	M20	1/2"	1/2"	700	80	712001	0.55
	15	M20	1/2"	1/2"	1000	80	712002	0.70
	20	M25	3/4"	3/4"	700	110	712003	0.85
	20	M25	3/4"	3/4"	1000	110	712004	1.00
	25	M32	1"	1"	700	145	712005	1.05
	25	M32	1"	1"	1000	145	712006	1.15
	32	M40	1 1/4"	1 1/4"	700	180	712007	1.25
	32	M40	1 1/4"	1 1/4"	1000	180	712008	1.30
	40	M50	1 1/2"	1 1/2"	700	210	712009	1.70
	40	M50	1 1/2"	1 1/2"	1000	210	712010	1.95
 BNG-□x□□(M)/□□(M)	50	M63	2"	2"	700	250	712011	2.35
	50	M63	2"	2"	1000	250	712012	2.40
	15	M20	1/2"	1/2"	700	80	712013	0.50
	15	M20	1/2"	1/2"	1000	80	712014	0.65
	20	M25	3/4"	3/4"	700	110	712015	0.80
	20	M25	3/4"	3/4"	1000	110	712016	0.95
	25	M32	1"	1"	700	145	712017	1.00
	25	M32	1"	1"	1000	145	712018	1.05
	32	M40	1 1/4"	1 1/4"	700	180	712019	1.15
	32	M40	1 1/4"	1 1/4"	1000	180	712020	1.20
 BNG-□x□□(F)/□□(F)	40	M50	1 1/2"	1 1/2"	700	210	712021	1.60
	40	M50	1 1/2"	1 1/2"	1000	210	712022	1.80
	50	M63	2"	2"	700	250	712023	2.15
	50	M63	2"	2"	1000	250	712024	2.25
	15	M20	1/2"	1/2"	700	80	712025	0.65
	15	M20	1/2"	1/2"	1000	80	712026	0.75
	20	M25	3/4"	3/4"	700	110	712027	0.95
	20	M25	3/4"	3/4"	1000	110	712028	1.05
	25	M32	1"	1"	700	145	712029	1.10
	25	M32	1"	1"	1000	145	712030	1.30
	32	M40	1 1/4"	1 1/4"	700	180	712031	1.35
	32	M40	1 1/4"	1 1/4"	1000	180	712032	1.40
	40	M50	1 1/2"	1 1/2"	700	210	712033	1.80
	40	M50	1 1/2"	1 1/2"	1000	210	712034	2.15
	50	M63	2"	2"	700	250	712035	2.55
	50	M63	2"	2"	1000	250	712036	3.15

