

PZ30 系列照明配电箱

Series Illumination Distribution Boxes



Waterproof

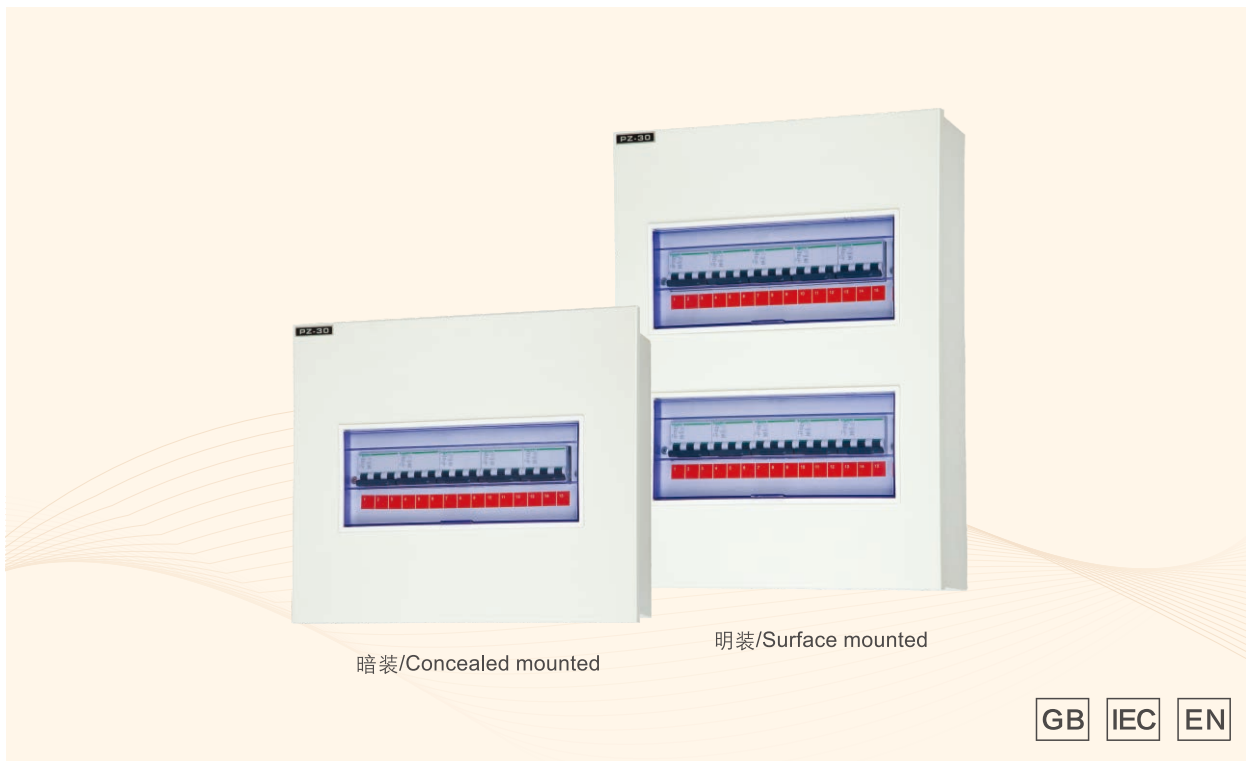


Dustproof

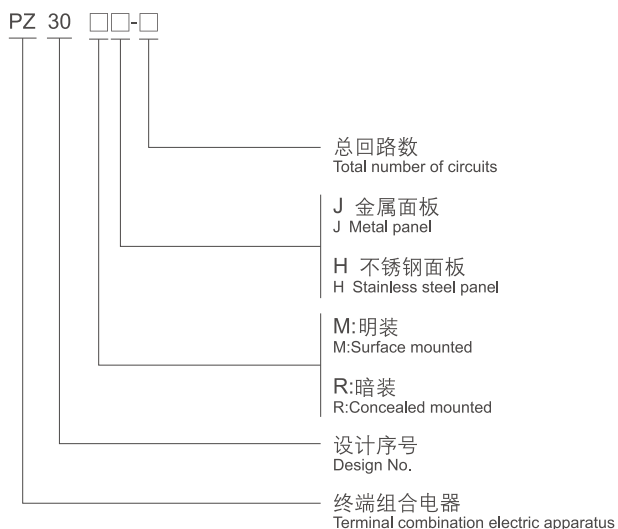


Corrosionproof

Weatherproof Electrical Appliances Series
防水 防尘 防腐 电器系列



◆ 型号规格含义/Catalogue Number Logic



◆ 订货须知/Ordering information

- ◇ 请根据“型号规格含义”注明配电箱的安装方式、面板材质及回路数;
- ◇ 若须配装断路器, 请注明各回路极数及电流或提供系统图;
- ◇ 本系列产品常规配置为施耐德小型断路器, 如须其它品牌请注明。
- ◇ Please indicate the mounting type, panel material and the number of circuits based on the Catalogue Number Logic.
- ◇ If circuit breaker is needed, please indicate the pole number and current of each circuit or provide schematic diagram.
- ◇ Schneider MCB (miniature circuit breaker) is supplied. If other brands are needed, please specify.



Waterproof



Dustproof



Corrosionproof

Weatherproof Electrical Appliances
防水防尘防腐电器系列

◆ 技术参数/Technical parameters

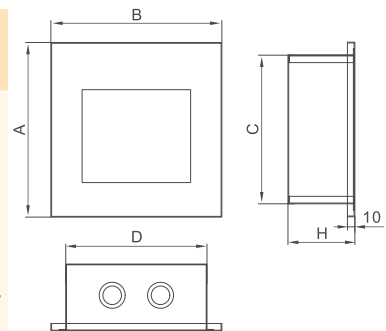
执行标准 Executive standards	中国标准 Chinese National Standards	国际标准 International standards 欧盟标准/European standards	北美标准 American standards
工作电压 / Working voltage	220V/380V	690V	480V
额定电流 / Rated current	≤ 100A		
防护等级 / Degree of protection	IP20		
内装元件 / Built-in components	施耐德、ABB等品牌 /Schneider , ABB brand.etc		
回路数 / Number of circuits	4~60		

◆ 产品特点/Product features

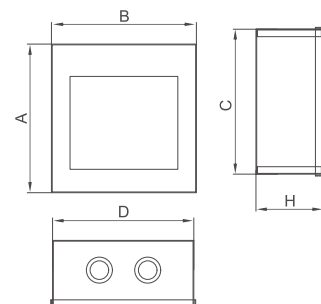
- ◇ 外形美观，安全可靠；
 - ◇ 广泛用于工厂、宾馆、商场、住宅等各类场所；
 - ◇ 面板有金属面板(冷扎钢板)和不锈钢面板；
 - ◇ 安装、拆卸、维修方便；
 - ◇ 可根据用户要求配制小型断路器；
 - ◇ 也可根据用户要求外壳均采用工程塑料。
- ◇ Beautiful appearance, safe and reliable
 - ◇ Widely used in factories, hotels, shopping malls, and residential places etc.
 - ◇ Metal panel (cold rolling steel plate) and stainless steel panel are available.
 - ◇ Easy for installation, disassembly and maintenance
 - ◇ MCB (miniature circuit breaker) can be supplied upon request
 - ◇ The enclosure can be made of engineering plastic if required.

◆ 外形及安装举例/Outline and mounting type

总回路数 Total number of circuits	暗装/Concealed mounted					明装/Surface mounted					备注 Remarks	
	A	B	C	D	H	A	B	C	D	H		
4	175	160	145	130	90	175	160	170	155	90	单排 Single row	
6	235	230	200	190	90	200	195	195	190	90		
8	295	255	260	215	90	250	218	247	215	90		
10	366	349	336	322	90	335	315	330	310	90		
12	366	385	336	358	90	335	351	330	346	90		
15	366	439	336	412	90	335	405	330	400	90		
18	366	493	336	466	90	335	459	330	454	90		
20	366	529	336	502	90	335	495	330	490	90		
24	566	385	536	358	90	535	351	530	346	90		双排 Double row
30	566	439	536	412	90	535	405	530	400	90		
36	566	493	536	466	90	535	459	530	454	90		
40	566	529	536	502	90	535	495	530	490	90		三排 Triplex row
45	766	439	736	412	90	735	405	730	400	90		
54	766	493	736	466	90	735	459	730	454	90		
60	766	529	736	502	90	735	495	730	490	90		



暗装/Concealed mounted



明装/Surface mounted