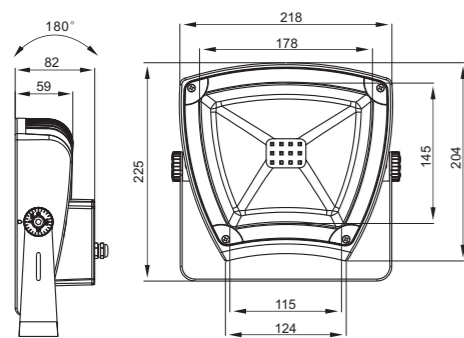




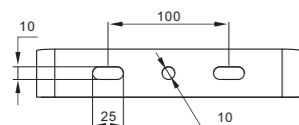
HR3131 LED FAN PROJECT LAMP

20W / 25W

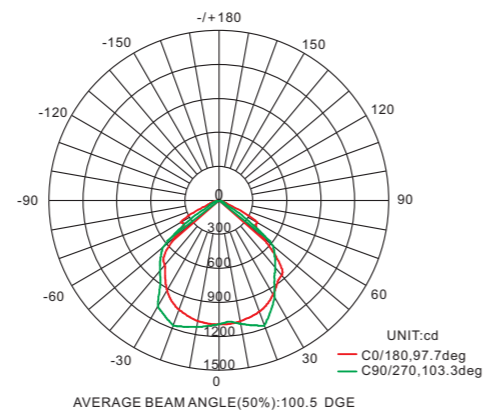
Product Dimension :



Specifications for Fixation Clamp and Bracket :



Light Distribution Curve:



Product model	HR3131-20	HR3131-25
LED quantity	12PCS	
Power	20W	25W
Voltage	ACDC24V/AC220V	
Single LED power	1-3W	
Working life	> 50000H	
LED color	RGB three-in-one discoloration, red, yellow, blue, green, white	
Color effect	/	
Beam angle	100°	
LED driving method	constant current driving : 330mA	
Protection degree	IP65	
Electrical safety level	DC24V Category III/AC220V Category I	
Power line	DC24V 2*1.5mm ² rubber thread /AC220V 3*0.75mm ² rubber thread	
Signal line	2*0.35+1*0.5mm ² signal connector	
Controlling method	standard DMX512	
Ambient temperature	-25°C ~ +55°C	

