

LED Light Fittings

HRND95 Series Explosion-proof LED Lightings

Technical data	
Explosion-proof LED Lightings HRND95-□	
Explosion protection	
Gas explosion protection	⊕ II 3 G Ex nR IIC T□ ¹⁾ Gc
Dust explosion protection	⊕ II 2 D Ex tb IIIC T□ ¹⁾ Db IP66
	¹⁾ See Selection Table
Certificates	ECM 16 ATEX 177; IECEx (applied for)
Conformity to standards	EN 60079-0, EN 60079-15, EN 60079-31 IEC 60079-0, IEC 60079-15, IEC 60079-31
Material	
Enclosure	Copper-free aluminium, powder coated surface,
Glass cover	Toughened glass, stands 4J impact
LED driver	Wide voltage input, CC-CV (constant current - constant voltage) output, power factor ≥ 0.95, with function of distributed current, constant current, surge-proof and anti-electromagnetic interference, and protection against overcurrent, open circuit, and short circuit.
Exposed fastener	Stainless steel
Lamp	
Lamp specification	LED module, Multiple LED
Lamp power (W)	40W, 60W, 80W, 120W, 160W, 200W, 240W, 300W
Colour Temperature (CCT)	Nature white: 5000±300K Note: nature white is available in general. Warm white (3000±200K) is optional, please specify when ordering.
Rated voltage	100 ~ 277V AC 50/60Hz
Degree of protection	IP66
Ambient temperature	-40°C~+55°C
Terminal	3 x 1.5 ~ 2.5mm ² (L+N+PE)
Cable	1x M20 x 1.5 cable gland (DQM-I Ex e)

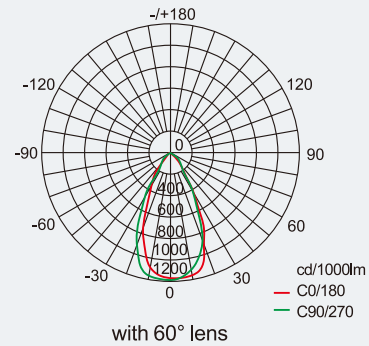
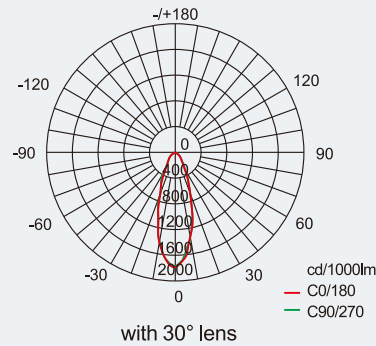


Selection table		
Temperature classes		Lamp power (W)
Gas	Dust	
T6	T80°C	40W, 60W, 80W, 120W
T5	T95°C	160W, 200W, 240W
T4	T130°C	300W

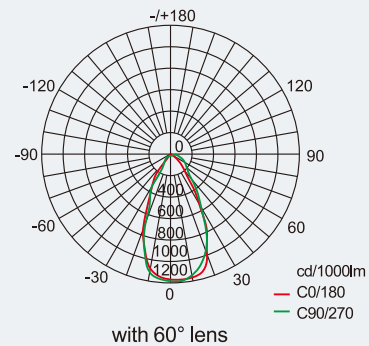
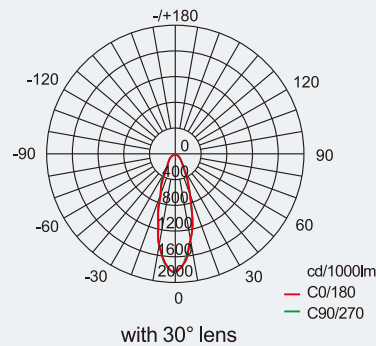
LED Light Fittings HRND95 Series Explosion-proof LED Lightings

Photometric data Note: Standard products with 60° lens, 30° lens which is optional, please indicate when placing an order.

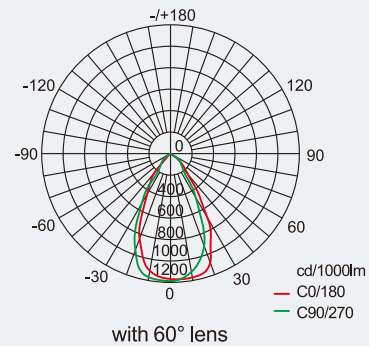
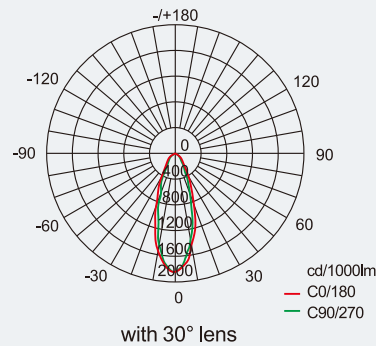
HRND95-□
Rated luminous flux
40W LED: 4385lm
60W LED: 6180lm



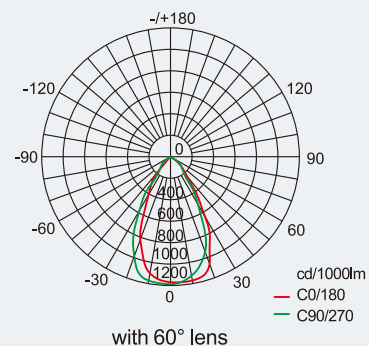
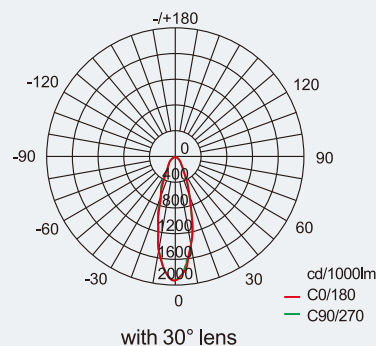
HRND95-□
Rated luminous flux
80W LED: 9200lm
120W LED: 12380lm



HRND95-□
Rated luminous flux
160W LED: 17900lm
200W LED: 21000lm



HRND95-□
Rated luminous flux
240W LED: 26900lm
300W LED: 33000lm

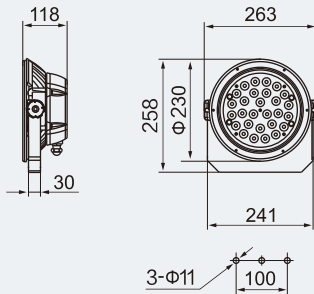


We can provide lighting design and data by professional lighting software DIALUX based upon simulated site situation on request.

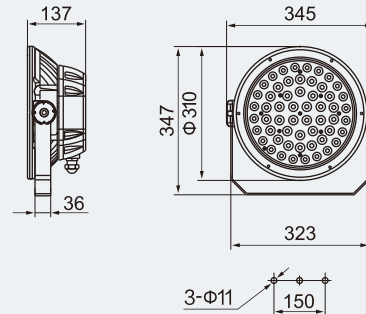


LED Light Fittings HRND95 Series Explosion-proof LED Lightings

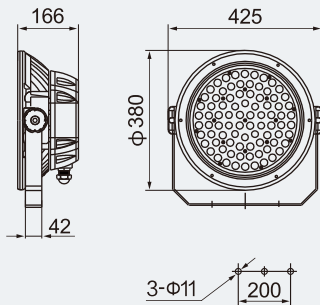
Dimension drawings (all dimensions in mm) - subject to alteration



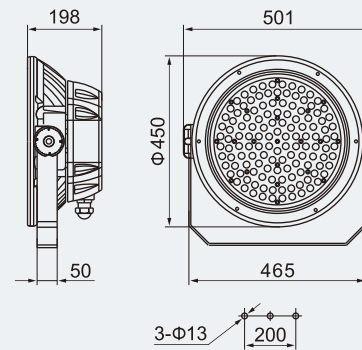
HRND95-40 / HRND95-60



HRND95-80 / HRND95-120



HRND95-160 / HRND95-200



HRND95-240 / HRND95-300

Accessories

Picture	Name	Ordering code	Weight (kg)
	40W/60W Reflector	95001	0.23
	80W/120W Reflector	95002	0.39
	160W/200W Reflector	95003	0.45
	240W/300W Reflector	95004	0.69
	40W/60W Wire guard	95005	0.35
	80W/120W Wire guard	95006	0.52
	160W/200W Wire guard	95007	0.80
	240W/300W Wire guard	95008	1.10

