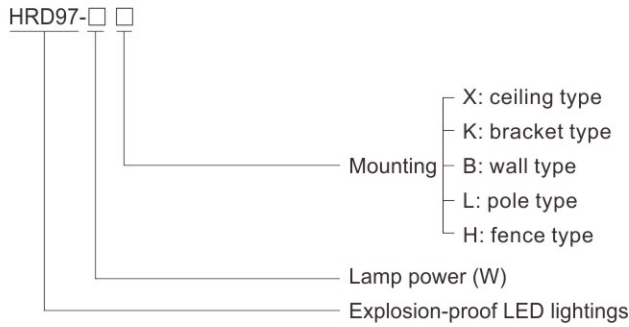




- ◆ Explosion protection to
  - CENELEC
  - IEC
  - NEC
- ◆ Can be used in
  - Zone 1 and Zone 2
  - Zone 21 and Zone 22
  - Class I, Zone 1 and Zone 2
  - Class I, Division 1, Groups A, B, C, D
- ◆ Applicable lamp and power (max.20W)
  - LED : 10W, 20W
- ◆ Isolated LED lamp compartment, CC-CV (constant current - constant voltage) power controller compartment and terminal compartment; Wind-convection heat dissipation structure
- ◆ Low-maintenance due to long service life is up to 100,000 operating hours.

### ■ Catalogue number logic



### ■ Selection table

Type / Ordering code	Lamp power(W)
HRD97-10 □	10
HRD97-20 □	20

**Note:** 1. Products above include all the mounting accessories listed in Mounting Accessories & Spare Parts Table (see P2/67).  
2. The product is supplied according to "Type/Ordering code" in the table with mounting accessories.

# Zones 1&2; 21&22

## LED Light Fittings

### HRD97 Series Explosion-proof LED Lightings

#### Technical data

#### Explosion-proof LED lightings HRD97-□□

##### Explosion protection

Global (IECEX)	IECEX CQM 22.0036X
Gas and dust	Ex db IIC T6 Gb Ex tb IIIC T80°C Db
Europe (ATEX)	ATEX (applied for)
Gas and dust	⊕ II 2 G Ex db IIC T6 Gb ⊕ II 2 D Ex tb IIIC T80°C Db IP66

##### Certificates

IECEX; ATEX; CU-TR

##### Conformity to standards

EN 60079-0, EN 60079-1, EN 60079-31  
IEC 60079-0, IEC 60079-1, IEC 60079-31

##### Material

Enclosure	Copper-free aluminium alloy, powder coated surface, yellow (RAL1021)
Transparent cover	Toughened glass, stands 4J impact
Exposed fastener	Stainless steel
LED driver	Wide voltage input, CC-CV (constant current - constant voltage) output, power factor $\geq 0.95$ , with function of distributed current, constant current, surge-proof and anti-electromagnetic interference, and protection against overcurrent, open circuit, and short circuit

##### Lamp

Lamp specification	Integrated LED, Multiple LED
Lamp power (W)	10W, 20W
Colour rendering index (Ra)	$\geq 80$
Colour temperature (CCT)	5700K Note: cool white is available in general. Warm white or nature white is optional, please specify when ordering.

##### Rated voltage

24V AC 50/60Hz, 36V AC 50/60Hz, 100~277V AC 50/60Hz, 24V DC, 36V DC

##### Earthing protection

M5 (internal & external earth bolts)

##### Degree of protection

IP66

##### Ambient temperature

-40°C~+60°C

##### Terminal

3 x 1.5~4mm<sup>2</sup> (L+N+PE)

##### Mounting

Ceiling type, Bracket type, Wall type, Pole type, Fence type

##### Cable entries

M25 x 1.5

##### Cable gland

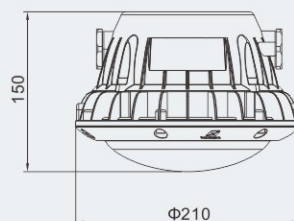
See Mounting Accessories & Spare Parts Table

##### Available cable outer diameter

Φ 10~Φ 14(mm)



#### Dimension drawings (all dimensions in mm) - subject to alteration

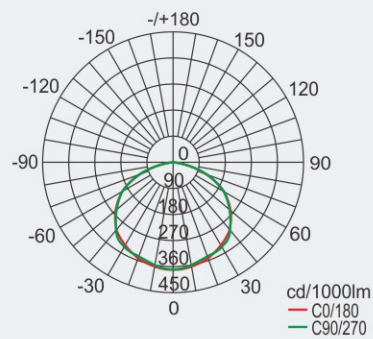


**Photometric data** Note: LED luminous flux is from the standard product of which colour temperature is 5700K



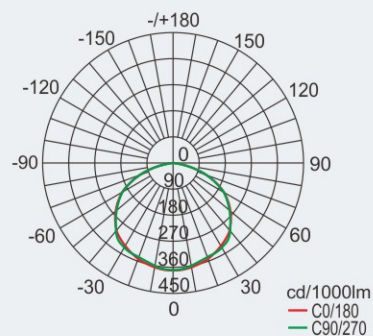
### HRD97-10□

Lamp power (W)	Luminous flux	Wattage
10	1200lm	10W



### HRD97-20□

Lamp power (W)	Luminous flux	Wattage
20	2500lm	20W

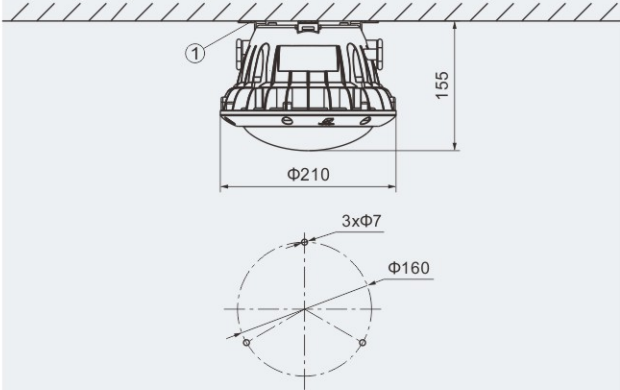


We can provide lighting design and data by professional lighting software DIALUX based upon simulated site situation on request.

## LED Light Fittings HRD97 Series Explosion-proof LED Lightings

**Mounting type** (all dimensions in mm) - subject to alteration

X: ceiling type

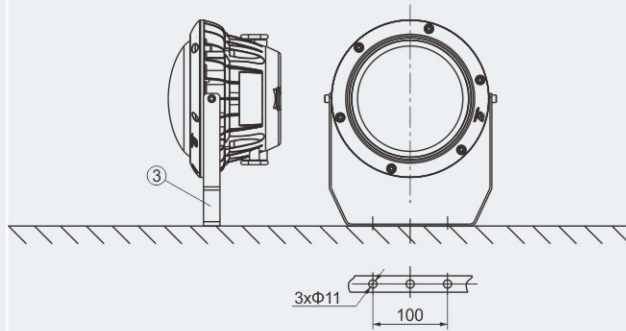


Weight: 3.30kg

Accessories supplied with the light fittings:

①. Mounting feet

K: bracket type

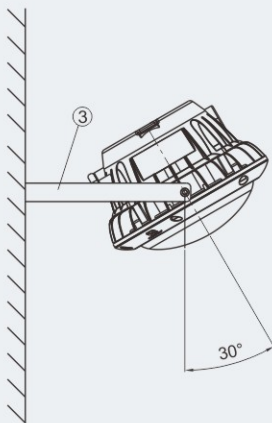


Weight: 3.80kg

Accessories supplied with the light fittings:

③. Wall bracket

B: wall type

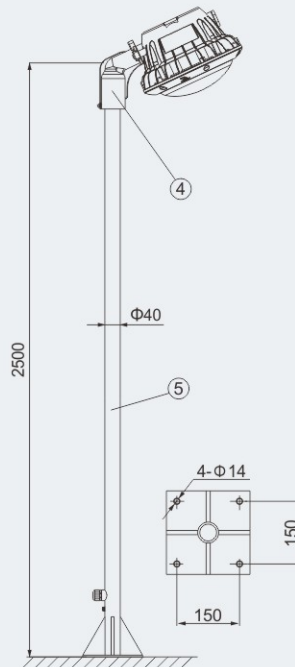


Weight: 3.80kg

Accessories supplied with the light fittings:

③. Wall bracket

L: pole type



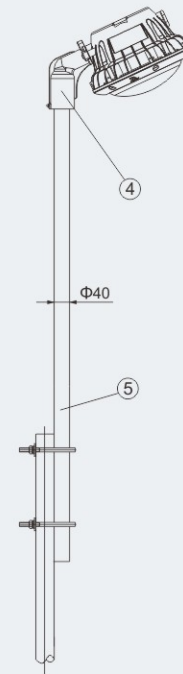
Weight: 4.50kg

Accessories supplied with the light fittings:

④. Pole type connector

⑤. Pole (shall be provided by user)

H: fence type



Weight: 4.50kg

Accessories supplied with the light fittings:

④. Pole type connector

⑤. Pole (shall be provided by user)

⑥. Pole (shall be provided by user)

