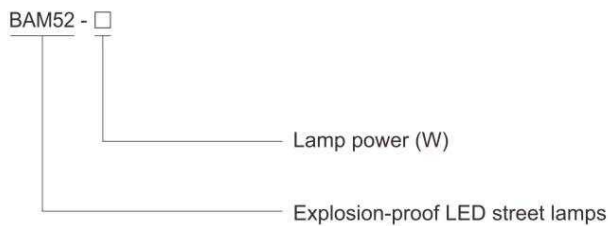


Street Lamps BAM52 Series Explosion-proof LED Street Lamps

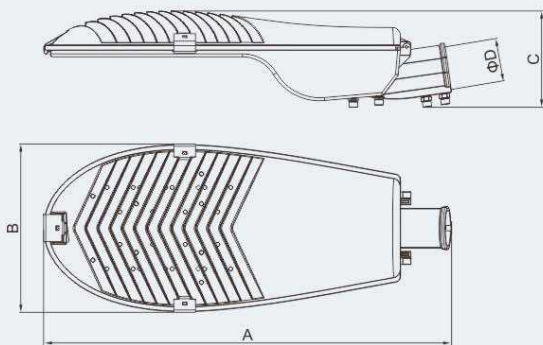


- ◆ Explosion protection to
 - CENELEC
 - IEC
 - NEC
- ◆ Can be used in
 - Zone 2
 - Zone 21 and Zone 22
- ◆ Please refer to mounting schematic diagram to select right lamp and mounting types on request of job site.
- ◆ Please refer to this catalogue for detailed technical data and ordering information of each light fitting.
- ◆ The street lamp is supplied without pole; please specify when ordering.

Catalogue number logic



Dimension drawings (all dimensions in mm) - subject to alteration



Type/Ordering code	Size(mm)				Weight (kg)
	A	B	C	D	
BAM52-80	655	268	150	65	4.7
BAM52-100	752	310	178	65	7.4
BAM52-120	752	310	178	65	7.5
BAM52-160	863	359	199	65	10.7
BAM52-200	863	359	199	65	10.9

Zones 2; 21&22

Street Lamps

BAM52 Series Explosion-proof LED Street Lamps

Technical data

Explosion-proof LED street lamps BAM52-□

Explosion protection

Global (IECEX)
Gas and dust

IECEX (applied for)

Ex nR IIC T6 Gc

Ex tb IIIC T80°C Db IP66

Europe (ATEX)

ATEX (applied for)

Gas and dust

⊕ Ex II 3 G Ex nR IIC T6 Gc

⊕ Ex II 2 D Ex tb IIIC T80°C Db IP66

Certificates

IECEX; ATEX

Conformity to standards

EN 60079-0, EN 60079-15, EN 60079-31

IEC 60079-0, IEC 60079-15, IEC 60079-31

Material

Enclosure
Glass cover
LED driver

Aluminium Alloy, powder coated surface

Toughened glass, stands 4J impact

Wide voltage input, CC-CV (constant current - constant voltage) output, power factor ≥ 0.95 , with function of distributed current, constant current, surge-proof and anti-electromagnetic interference, and protection against overcurrent, open circuit, and short circuit

Exposed fastener

Stainless steel

Lamp

Lamp specification
Lamp power (W)
Colour Temperature (CCT)

LED module, Multiple LED

80W, 100W, 120W, 160W, 200W

Cool white: 5700K

Note: cool white is available in general. Warm white or nature white is optional, please specify when ordering.

Rated voltage

100~277V AC 50/60Hz

Degree of protection

IP66

Ambient temperature

-40°C~+55°C

Terminal

3 x 1.5~4mm² (L+N+PE)

Mounting

street lamp type

Cable entries

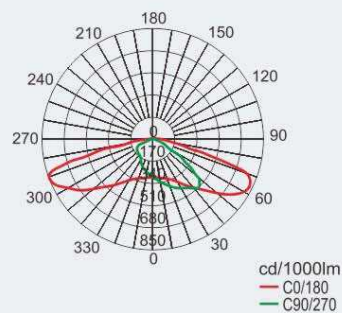
1 x M25 x 1.5 cable gland (DQM-I Ex e)



Photometric data

BAM52

Rated luminous flux
80W : 8800 lm
100W : 11000 lm
120W : 13200 lm
160W : 17600 lm
200W : 22000 lm



We can provide lighting design and data by professional lighting software DIALUX based upon simulated site situation on request